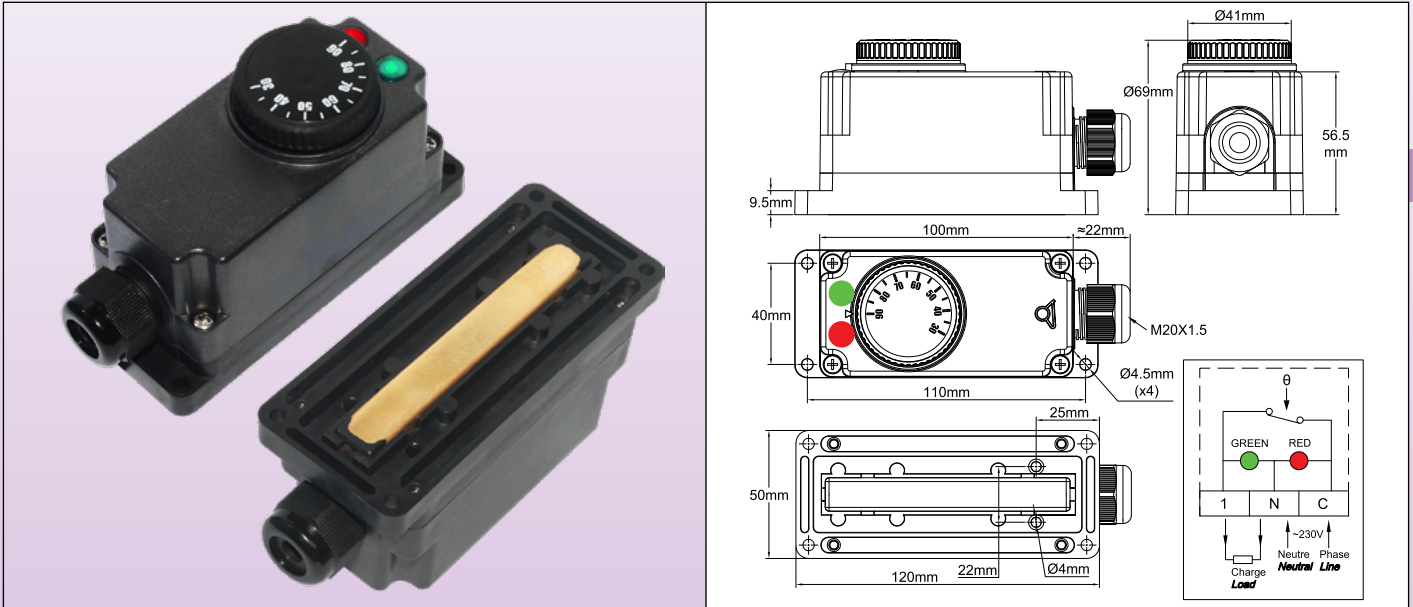




Because of permanent improvement of our products, drawings, descriptions, features used on these data sheets are for guidance only and can be modified without prior advice

# Thermostat with external knob adjustment, IP65, with two pilot lights, for industrial jacket and blanket heaters.

## Type Y2U



### Applications

Developed for industrial applications in electric blankets, heating belts, jacket heaters, this thermostat is equipped with a flat sensitive part allowing to put it in contact with a surface, 4 holes allowing to mount it on this surface, and a direct passage between the connection terminal block and the back of the housing, for the passage of wires to the heating element.

### Main Features

**Housing:** IP65, 120 × 50 × 69 mm, fiberglass reinforced PA66, UL94V0. High impact and UV resistance, with silicone waterproof gasket on thermostat shaft.

**Electrical input:** ISO M20 cable gland, Black PA66, IP67, for cables from 6 to 12 mm dia.

**Electrical output:** 2 dia.4 mm holes, located on the backside face, allow to introduce the heating element wires directly inside the housing. If IP65 ingress protection is requested on the backside, these 2 holes must be sealed around the wires with RTV silicone.

**Temperature adjustment:** By temperature printed knob.

**Sensing element:** Liquid filled bulb, located inside the brass cap.

**Adjustment ranges:** 30-90°C (85-195°F), 30-110°C (85-230°F).

**Pilot lights:** Allow to visualize the power supply and thermostat contact position.

**Electrical connections:** Inside, on 2.5mm<sup>2</sup> screw terminals connection block.

**Mounting:** By 4 holes for screws dia. 4mm, 40 × 110 mm distance.

**Electrical rating:** Open on temperature rise contact (C-1), 16A (2.6) 250VAC, >100.000 cycles.

**Minimum Storage temperature:** -35°C (-30°F)

**Maximum ambient temperature:** 110°C (230°F)

### Main part numbers

Part numbers with knobs printed in °C	Part numbers with knobs printed in °F	Temperature adjustment range °C (°F)	Differential °C (°F)
Y2U8GB030090AA66	Y2U8GB030090AA67	30-90°C (85-195°F)	4±3°C (7±5.5 °F)
Y2U8GB030110AA66	Y2U8GB030110AZ67	30-110°C (85-230°F)	5±3°C (9±5.5 °F)